



SEMIAUTOMATIC CAPPING MACHINE TEDELTA CSA-101



Specialized in complete capping system for the
bottling and packaging industries.

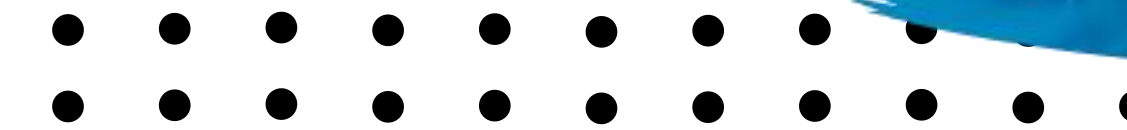


Thinking ahead, moving forward

Our commitment in capping technology, allows us to offer tailor made capping Turrets to filler equipment manufacturers and complete capping systems to the end user. More than 40 years of experience, gives us total control of our design and manufacturing of our equipment; Cappers, turrets and capping heads makes us the one and only Spaniard capper manufacturer.

SEMIAUTOMATIC MACHINE

TEDELTA CSA-101



Objective

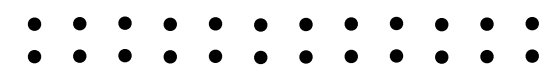
Great flexibility and versatility that allows to use single magnetic head, push-on capping head, Ropp capping head.

Recommended for new product start-ups and quality control at labs.



Cap feeding and closure system

Manual cap positioning on bottle once filled, the closure is completely automatic thanks to the ascend and descend of the capping head by limit switch, in the case of the magnetic capping head, we reach a precise closure torque. in case of the Ropp capping head, with the adequate top and side load we reach a complete hermetic, and reliable seal.



SEMIAUTOMATIC MACHINE

TEDELTA CSA-101



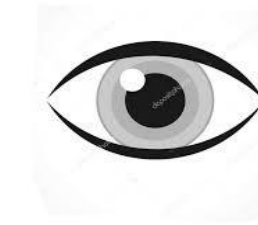
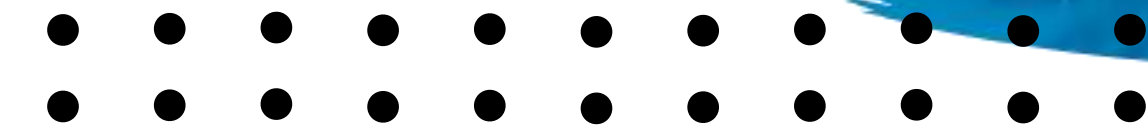
The design of its magnetic clutch allows an effective and constant torque of closing.



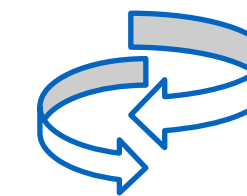
Low maintenance, minimum grease system and high durability.



Independent variable speed motor allowing capping head revolution adjustment for different caps and bottles.



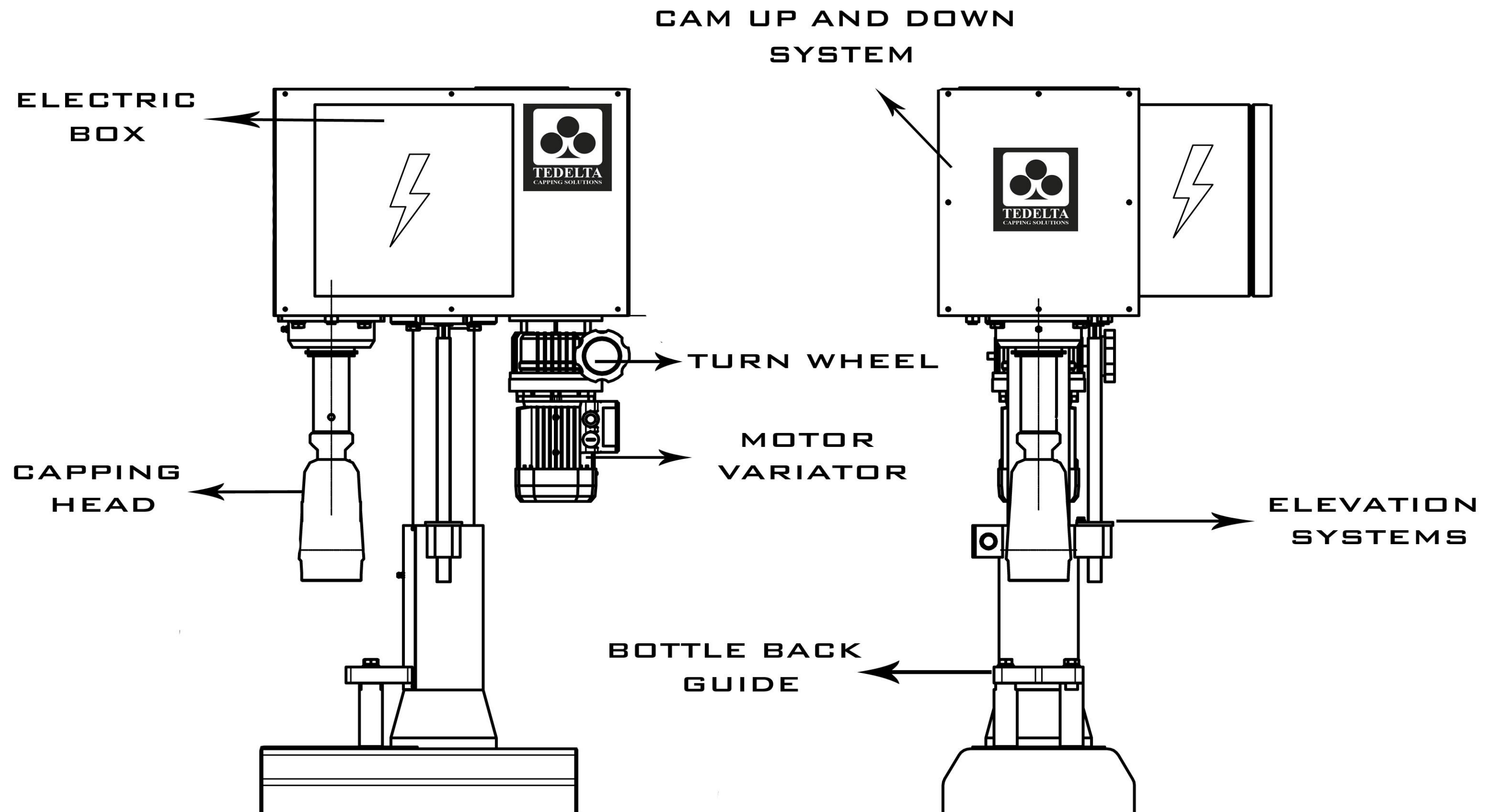
Quick and easy capping head changes.

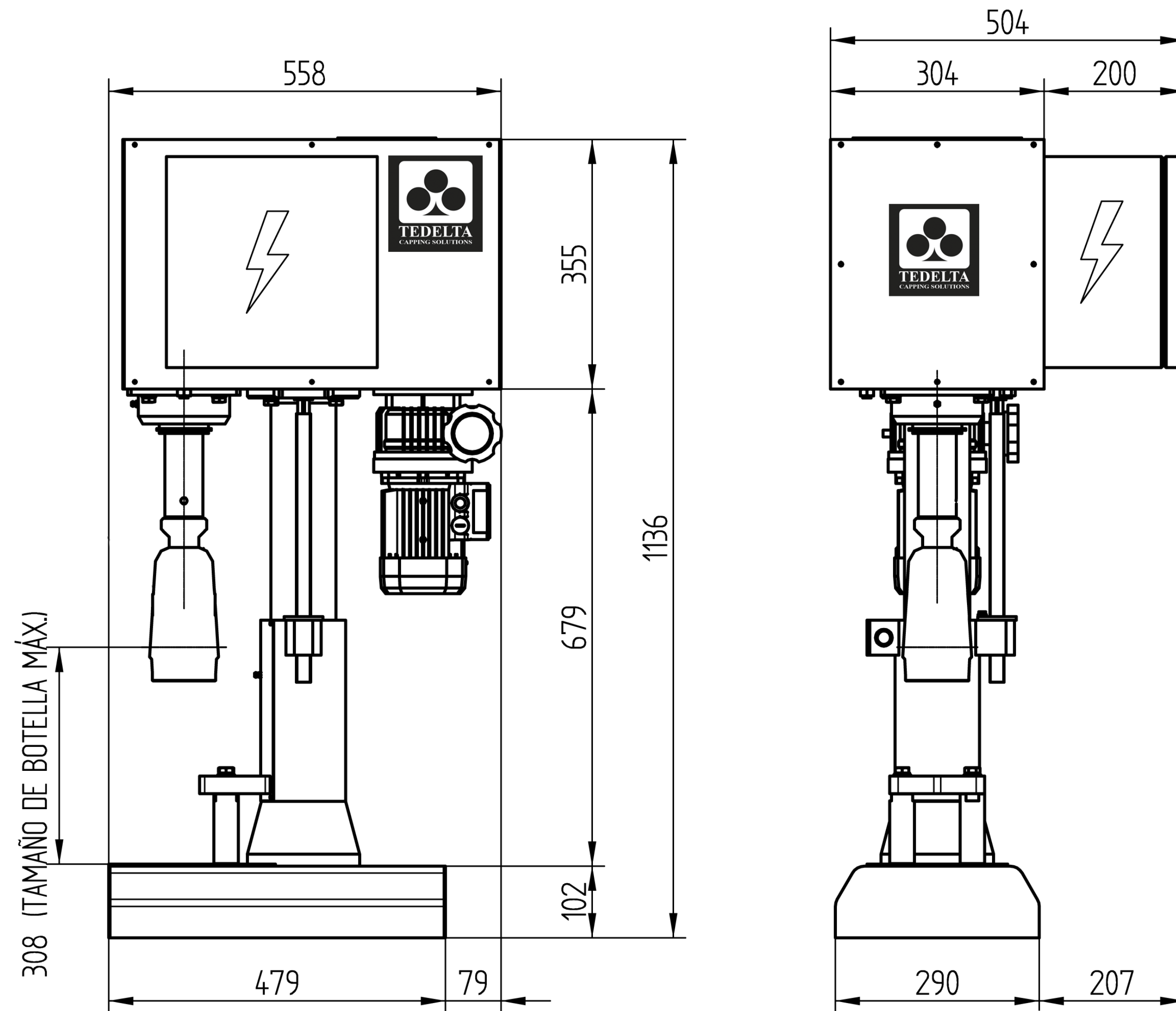


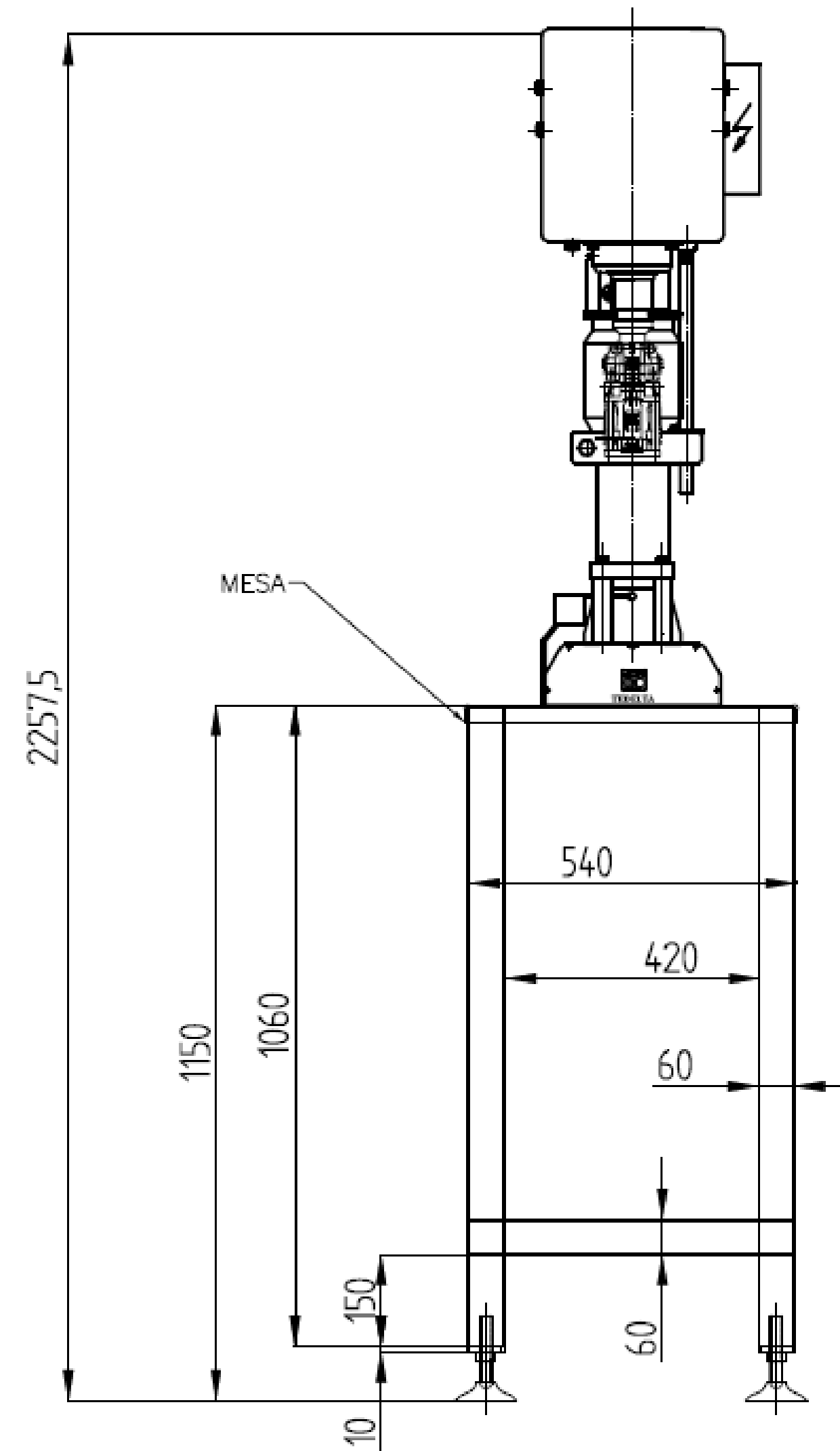
Regulation of vertical pressure easily.



Applied a wide variety of caps, plastic threaded, aluminum, flip-top, specialty, sports cap, etc.. on glass or PET bottles and jugs.







OPTIONAL

Stainless steel table
manufactured at the
height requested.

with wheels for easy
movements of the
capping systems.

SEMIAUTOMÁTIC CSA-101 CAPS TO PROCESSING



Screw on plastic cap long
Wine Sector



Screw on plastic cap short
Wine Sector



Sport-Cap
Beverage Sector



Pre-Threaded Flat Cap
Cleanning Sector



Cap big diameter
Chemical Sector



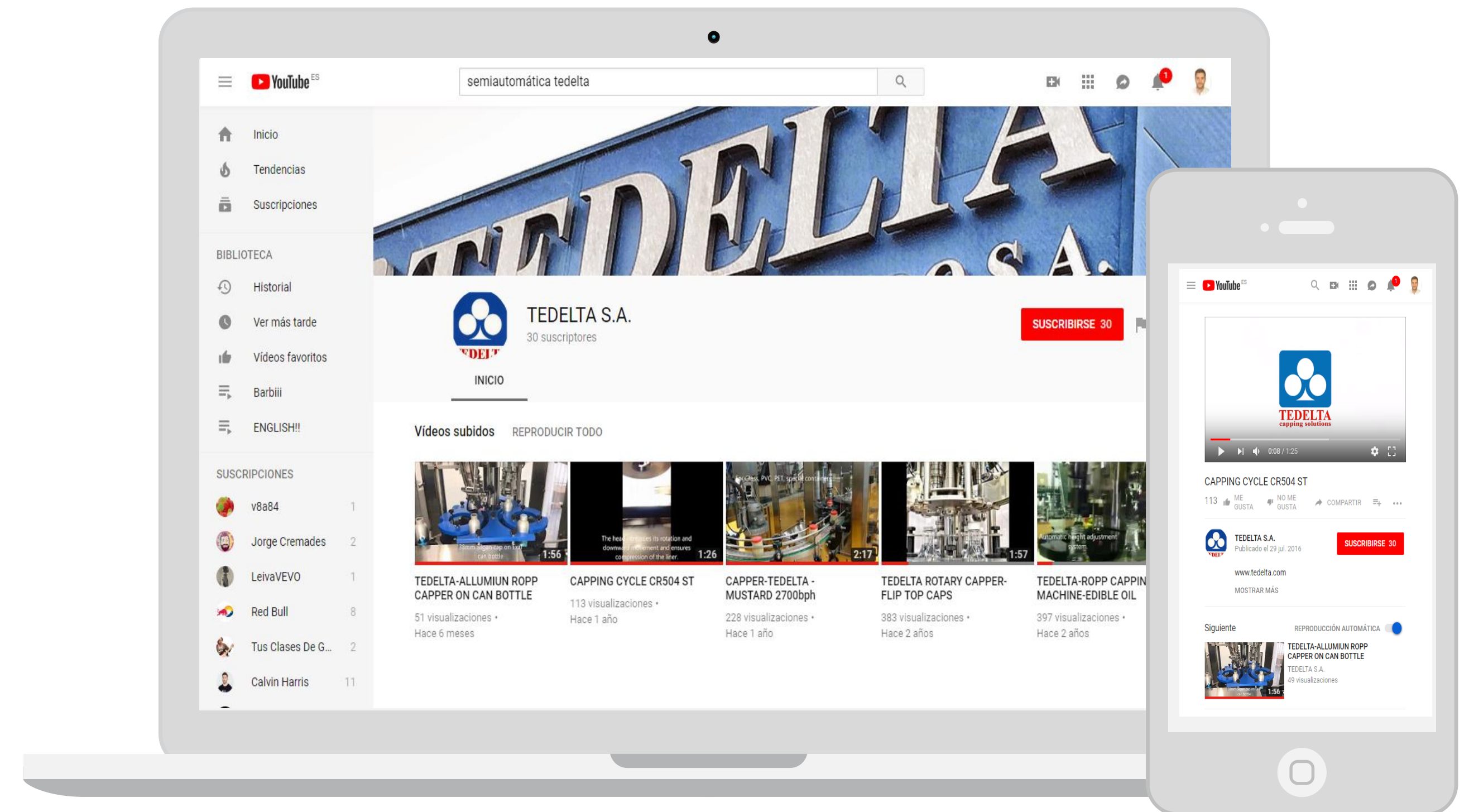
Our commitment to our clients pushes us to higher levels of Service. At Tedelta , we guarantee the fastest and highest quality service assistance, minimizing production downtimes and keeping possible technical problems and maintenance costs at the lowest levels possible.

Visit our machines working

Click Here:



In our you-tube channel you can visualize our machines and know the main technical characteristics of their performance as well as operative videos in operation.



Stay in touch with Us

TEDELTA SPAIN

TLF:+34 91 642 09 43

EMAIL:

COMERCIAL@TEDELTA.ES

ALCOTANES, 29, 28320

PINTO, MADRID

ESPAÑA

TEDELTA NORTH AMÉRICA

EMAIL:

SALES.NORTHAMERICA@TEDELTA.COM

2335 suite R 63 rd Ave.E,

FI ,34203

UNITED STATES

TEDELTA Soluciones del Tapado

WESTERN REGIONAL OFFICE

TLF: +1 916 626 7688

EMAIL:

TERRY.DYET@TEDELTA.COM

PO BOX 1373

Lincoln, CA 95648

UNITED STATES



EASTERN REGIONAL OFFICE

TLF: +1 407 399 1986

EMAIL:

ANDY.COWEN@TEDELTA.COM

325 Seminole Woods Blvd.

Geneva, FL. 32732

UNITED STATES

